

SHEET 2  
IPC CHIP

SHEET 3  
SCP & NVRAM

SHEET 4  
ROM LOGIC

SHEET 5  
EXTRA DMA PAGES

SHEET 6  
I/O PORTS

SHEET 7  
EXTRA I/O PORTS

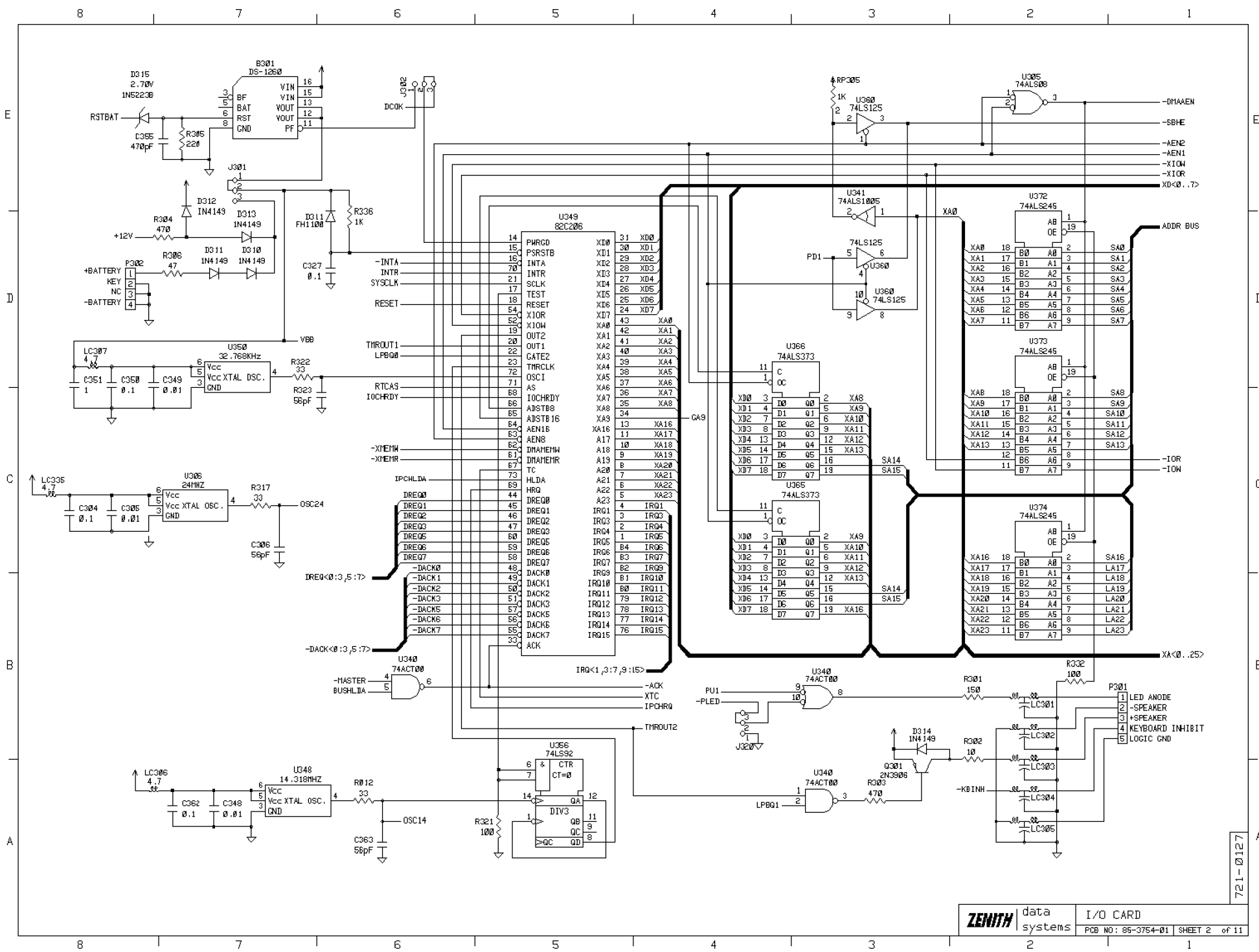
SHEET 8  
DECODERS/DMA5H

SHEET 9  
I/O CONNECTORS

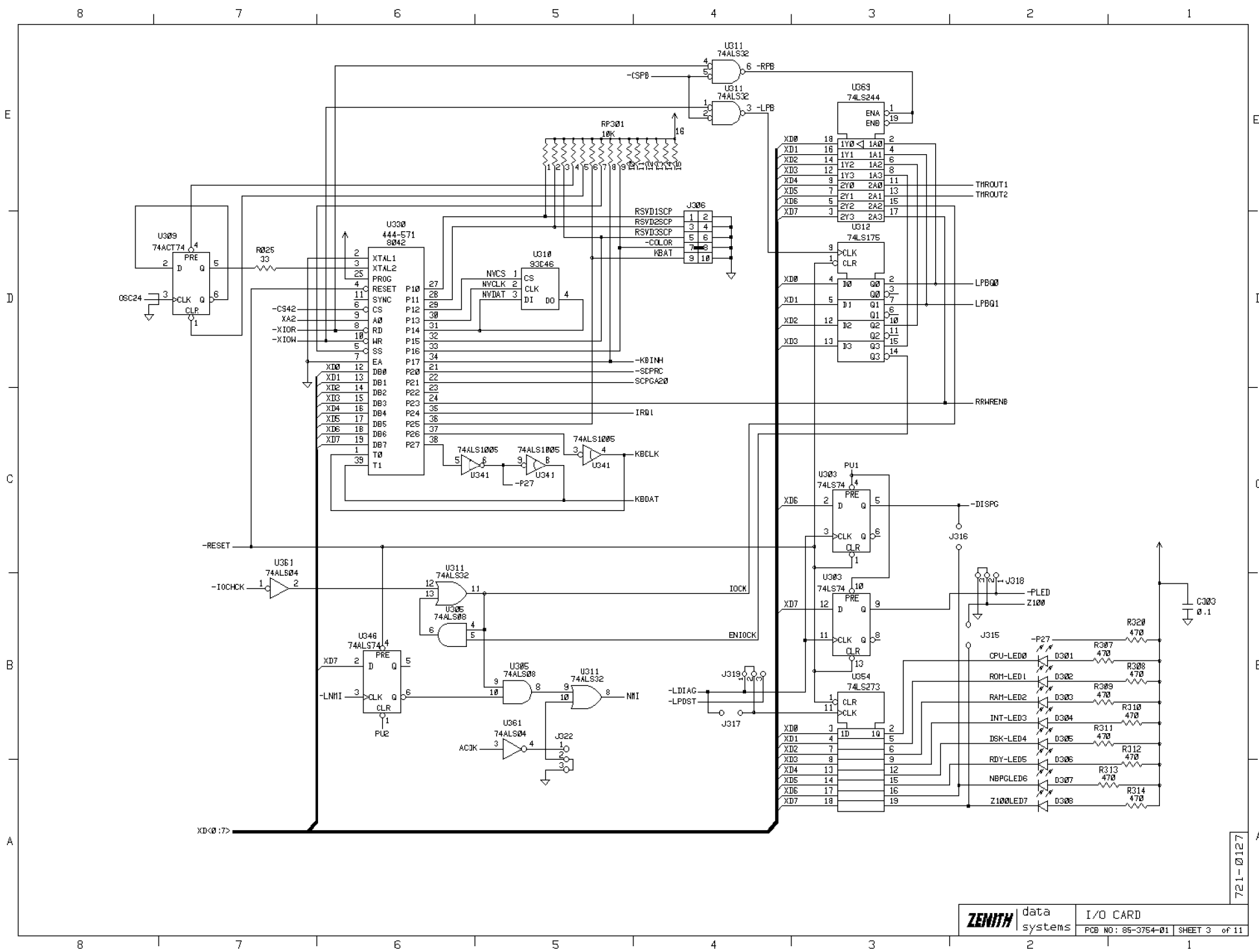
SHEET 10  
EDGE CONNECTORS

SHEET 11  
POWER RAILS

721-0127

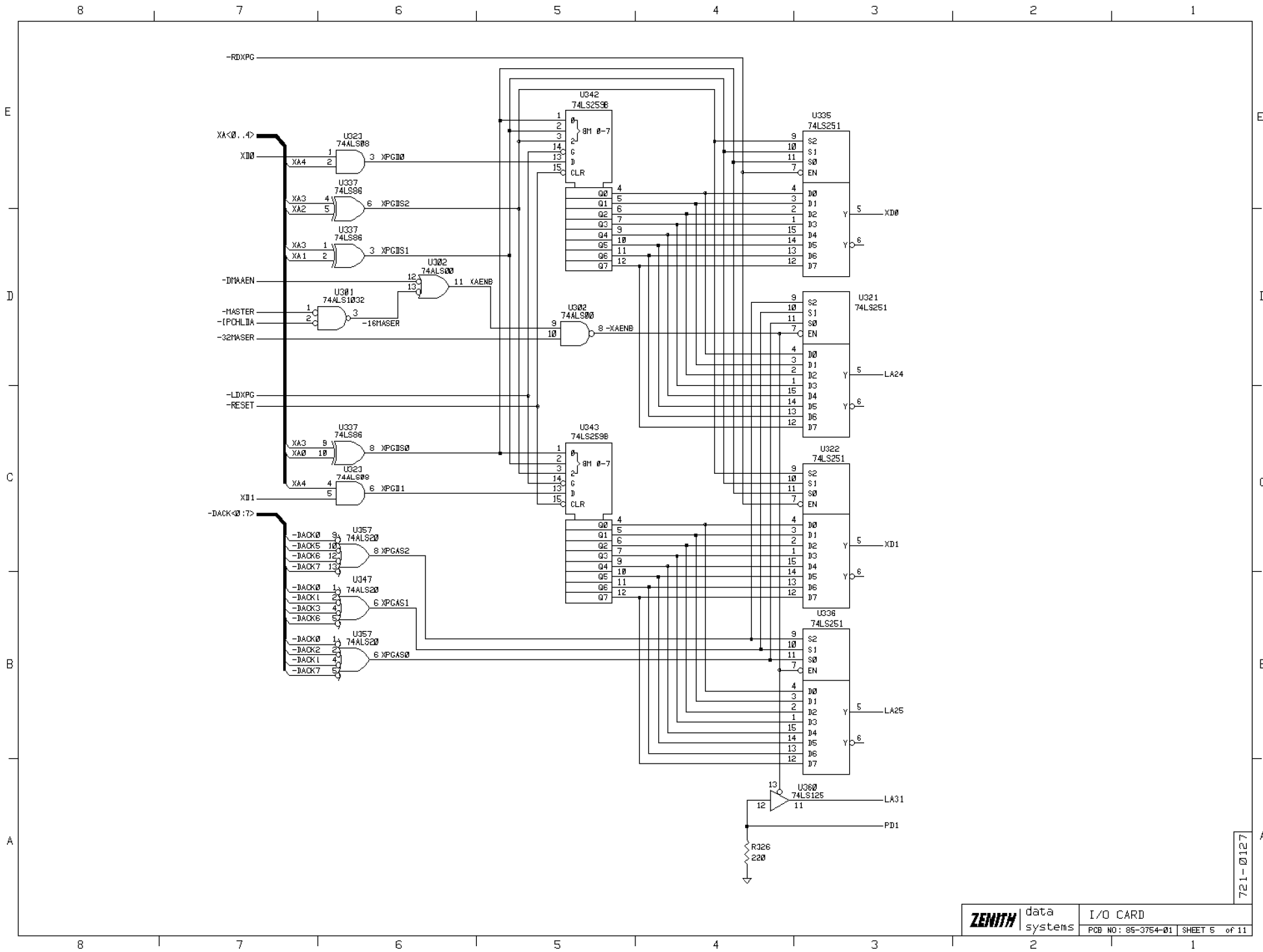


721-0127

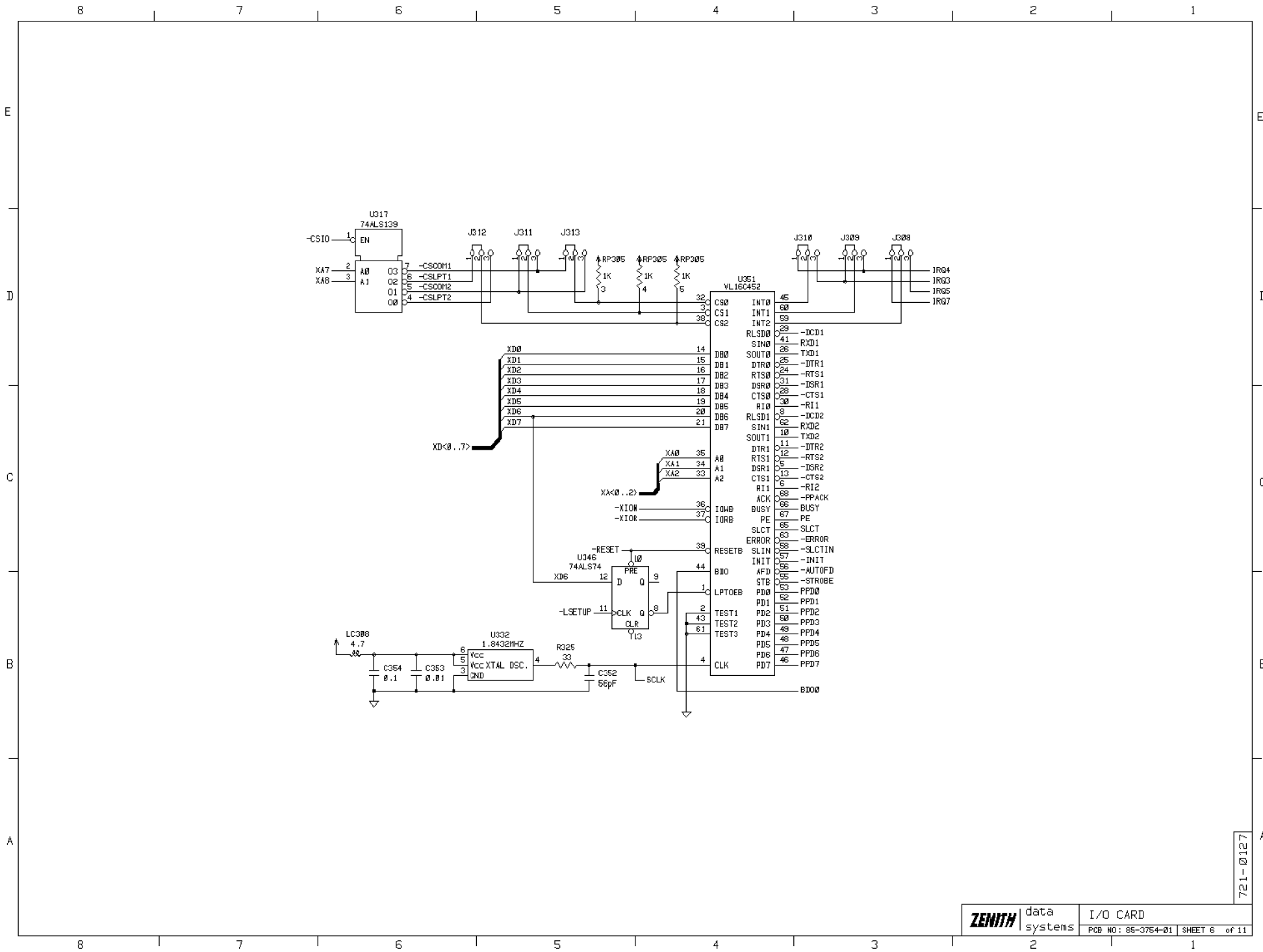


721-0127





721-0127



721-0127

E

D

C

B

A

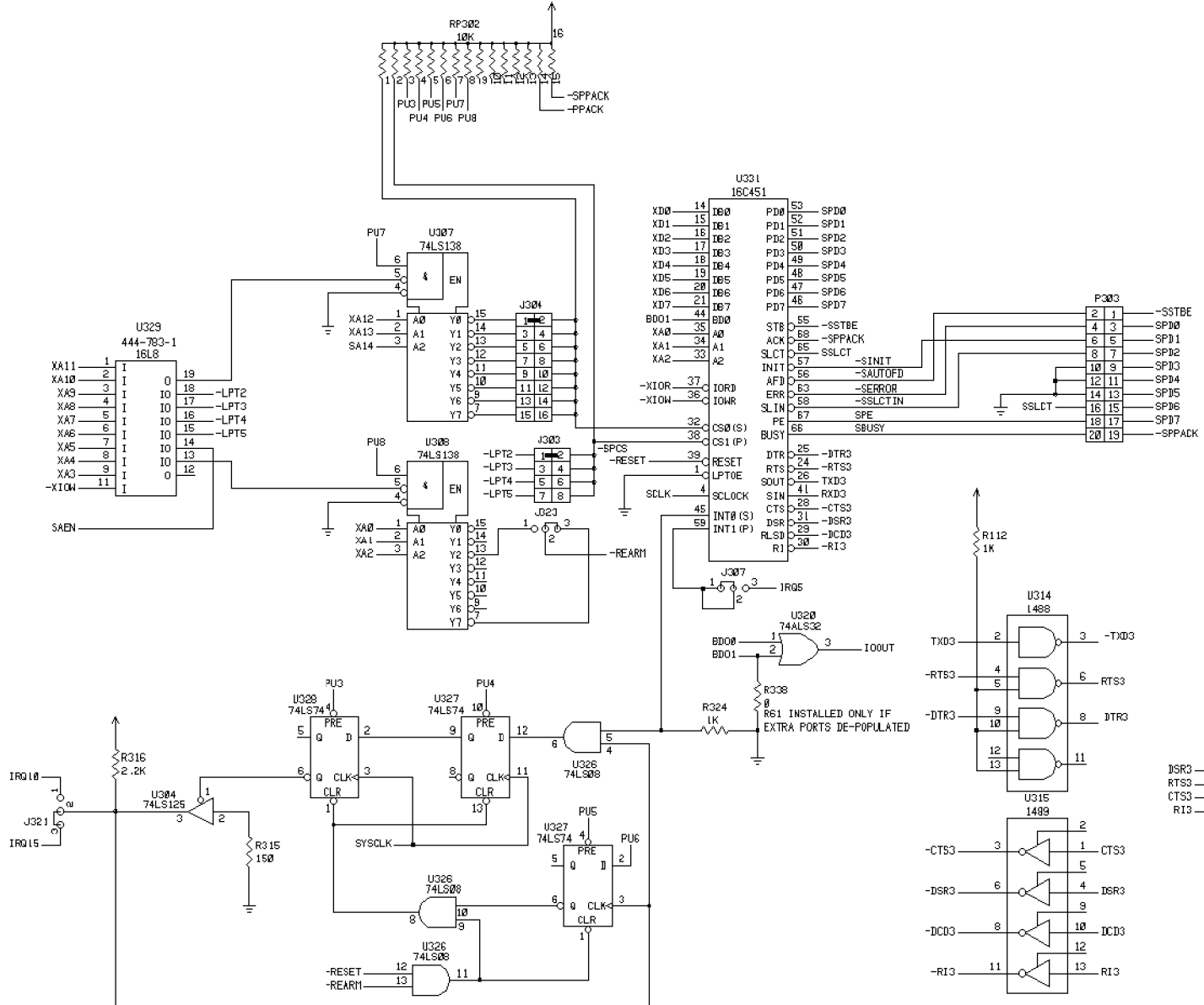
E

D

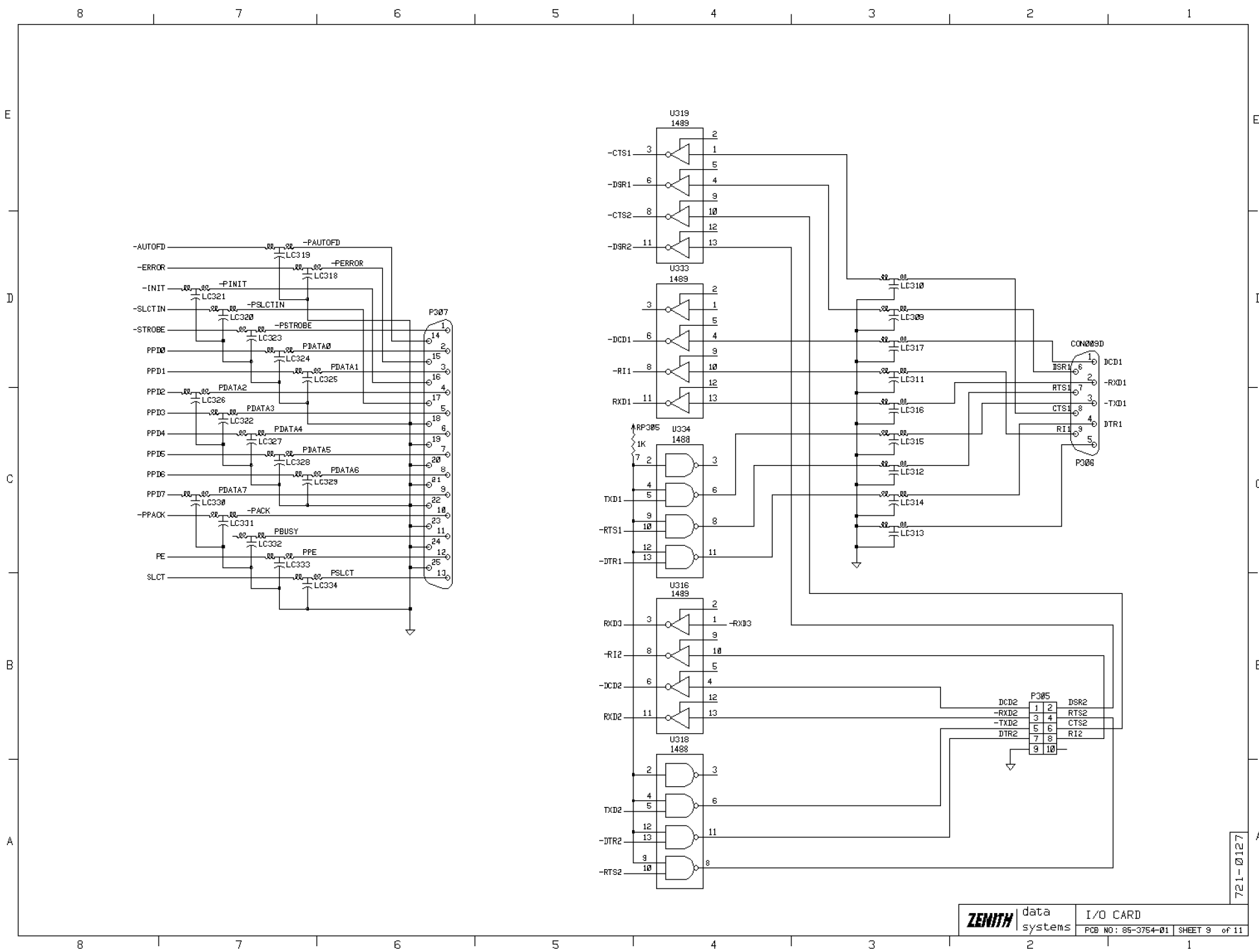
C

B

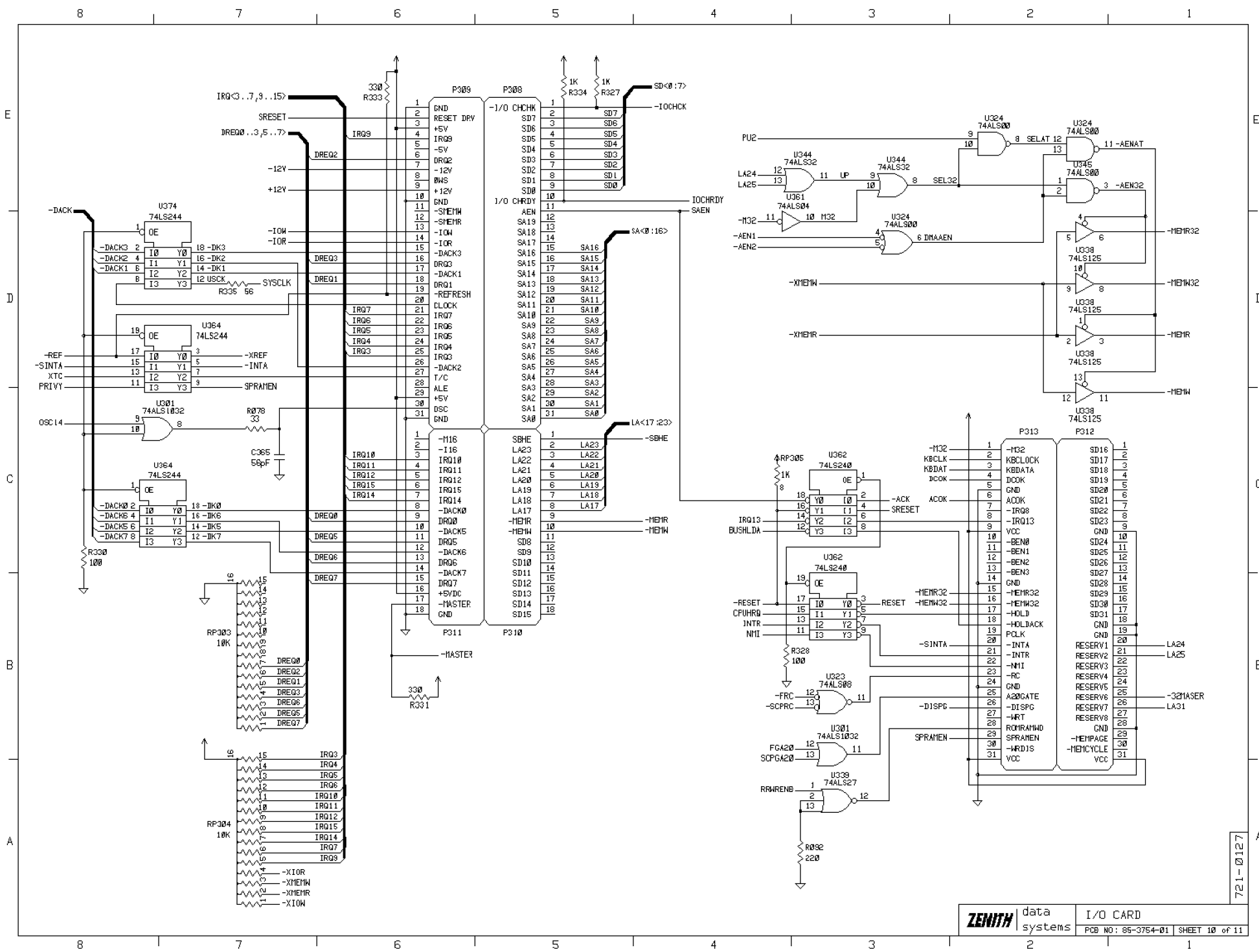
A



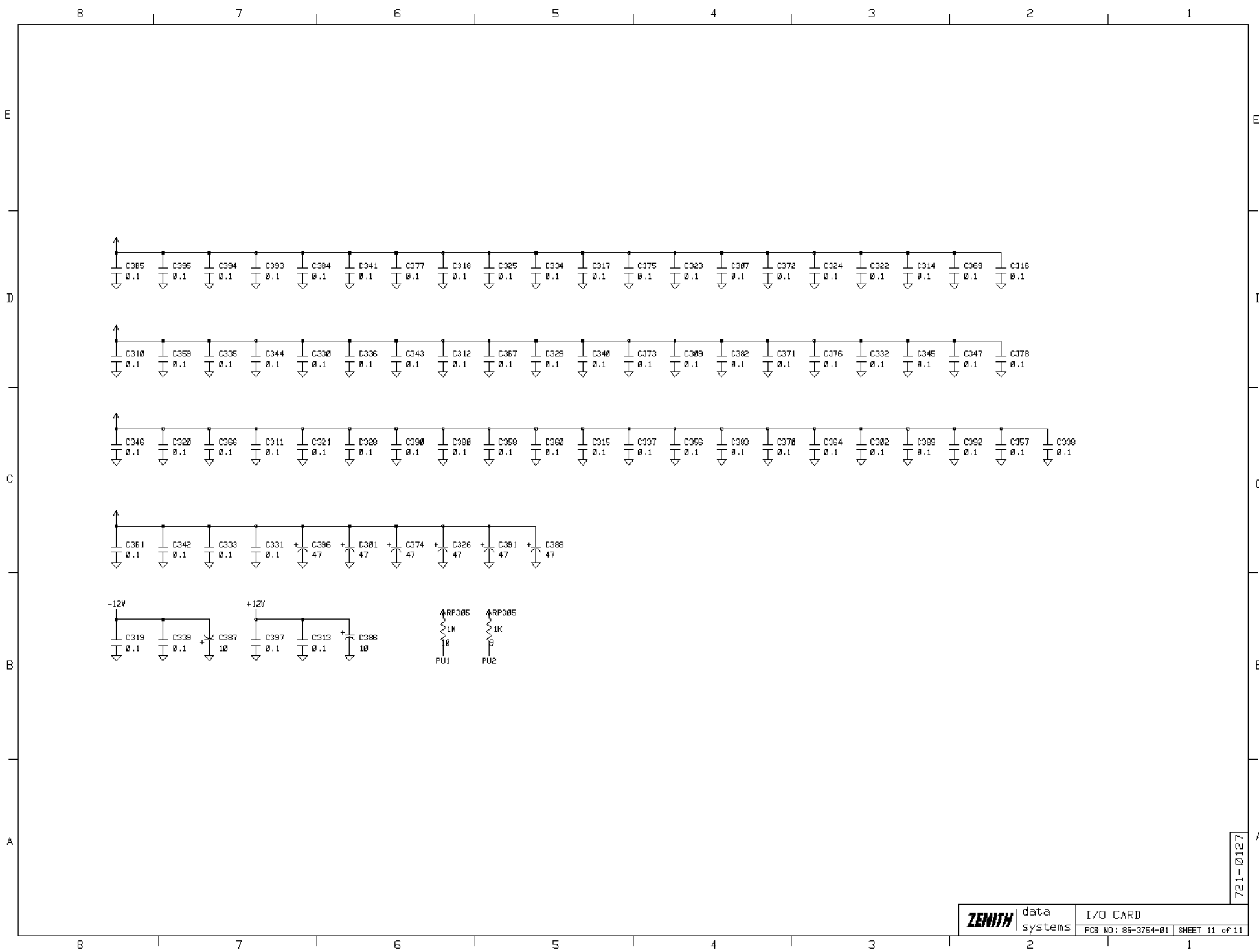




721-0127



721-0127



721-0127