

SHEET 2
ADDRESS DECODE

SHEET 3
RTC, LEDS, SPKR

SHEET 4
ROM LOGIC

SHEET 5
SCP

SHEET 6
FLOPPY CONTROLLER

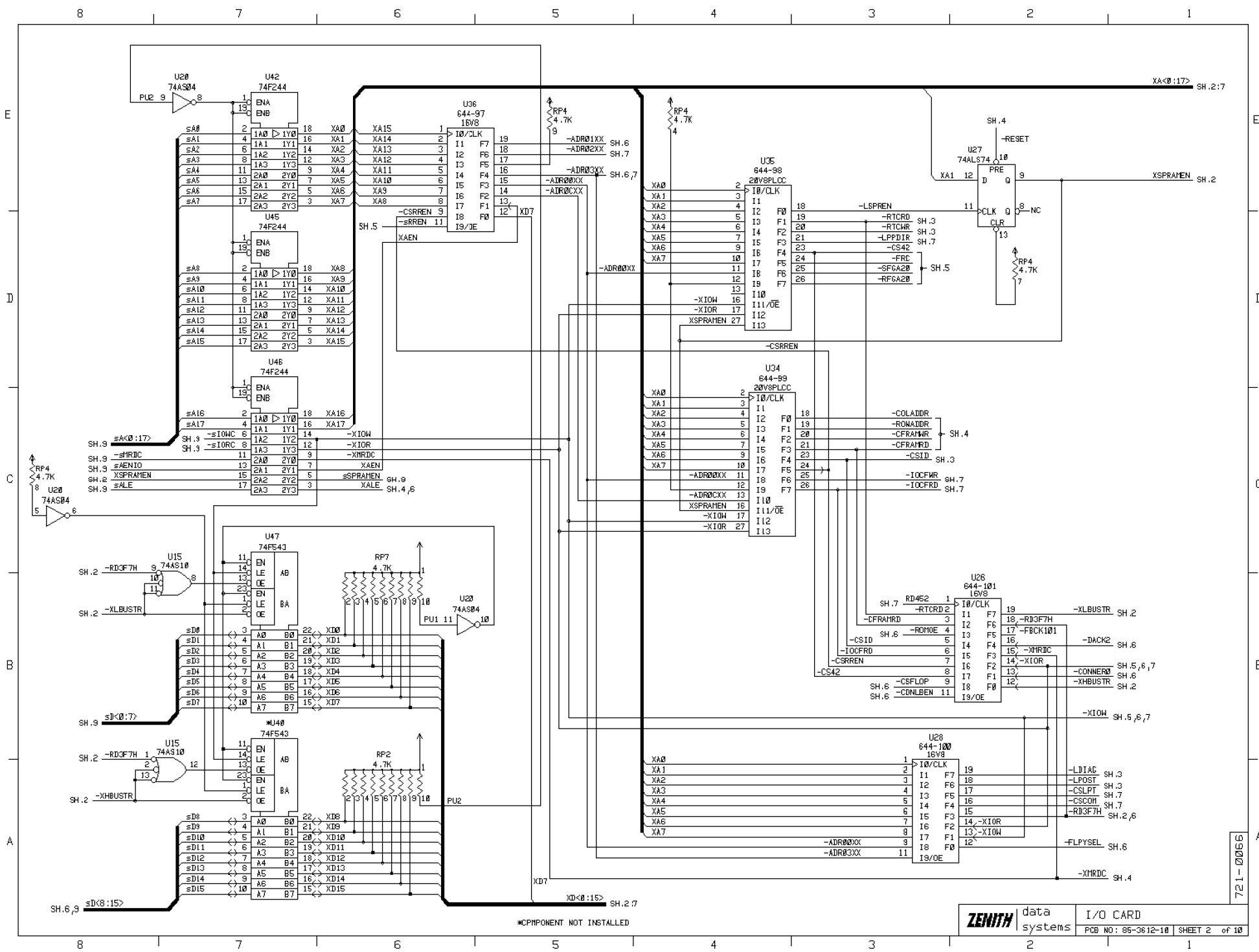
SHEET 7
10 PORTS

SHEET 8
10 CONNECTORS

SHEET 9
EDGE CONNECTOR

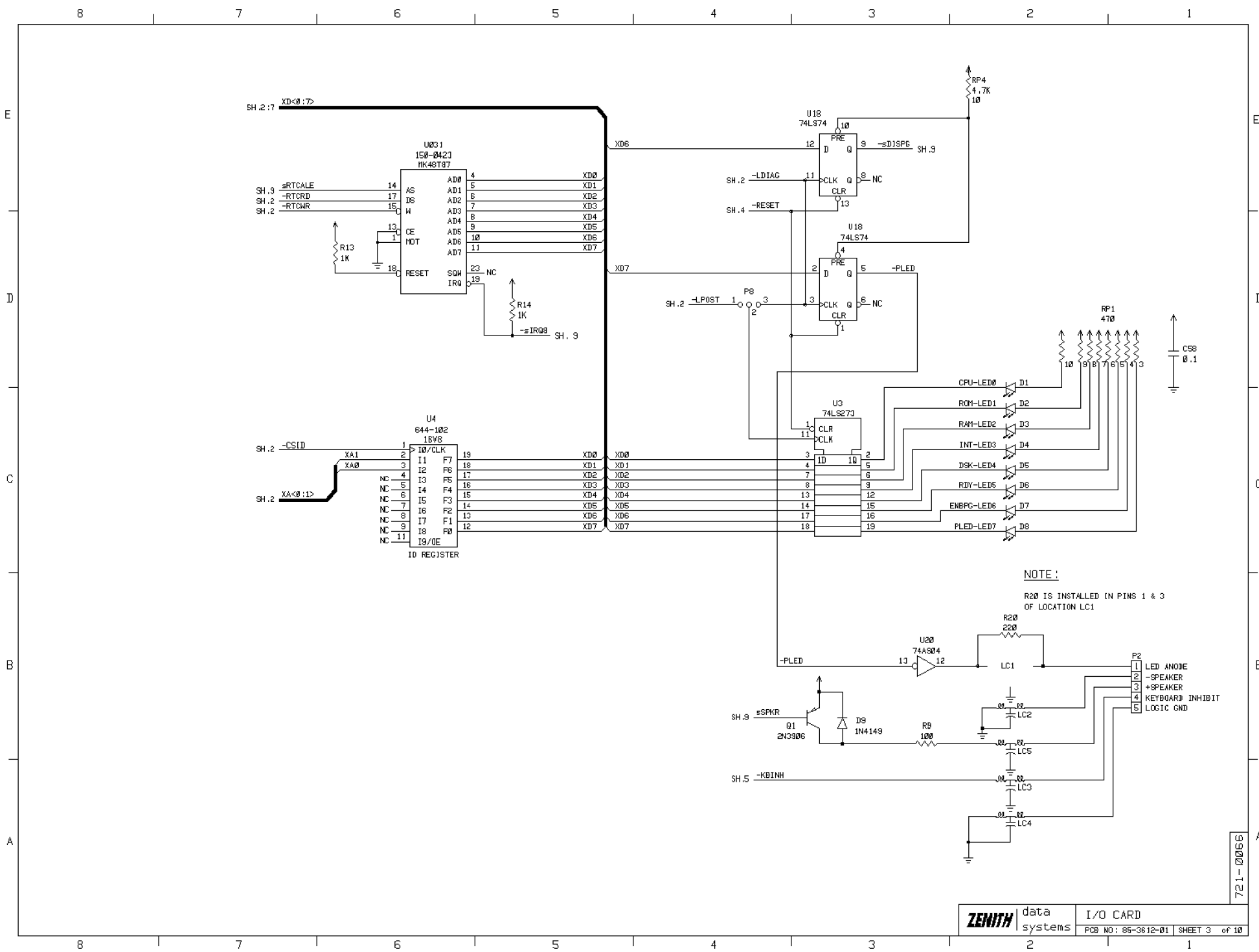
SHEET 10
POWER RAILS

721-00066



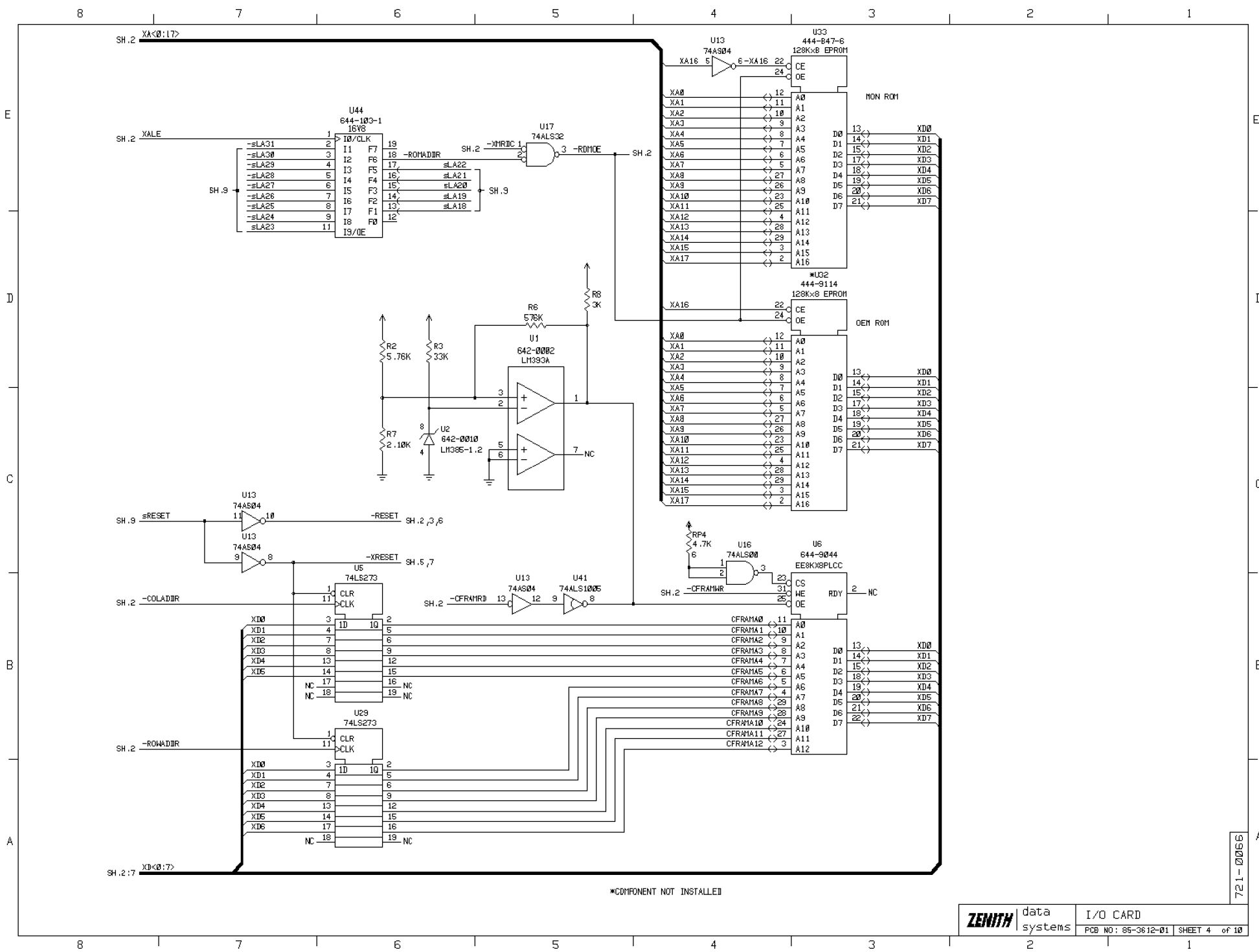
*COMPONENT NOT INSTALLED

721-0066



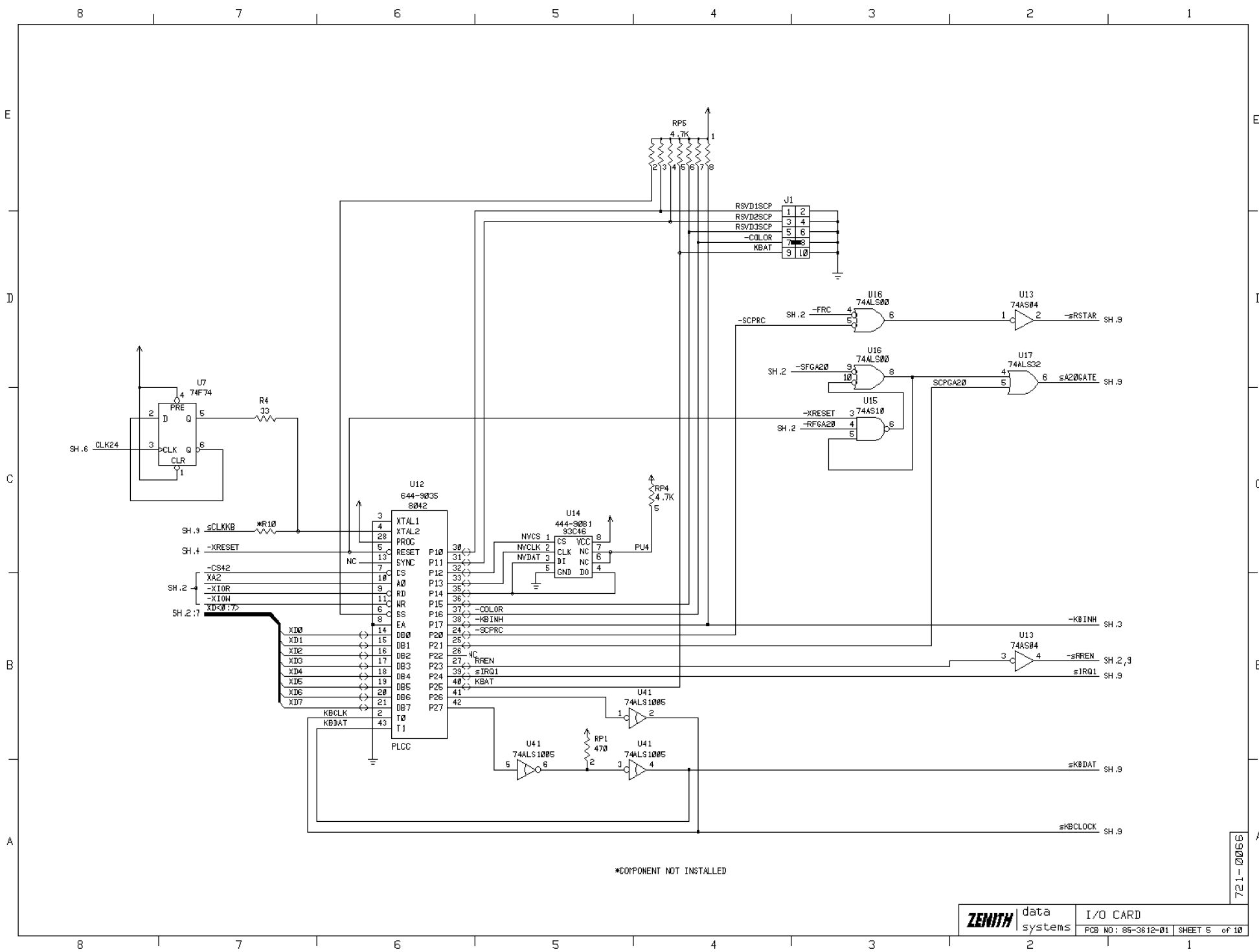
NOTE :
R20 IS INSTALLED IN PINS 1 & 3
OF LOCATION LC1

721-0066



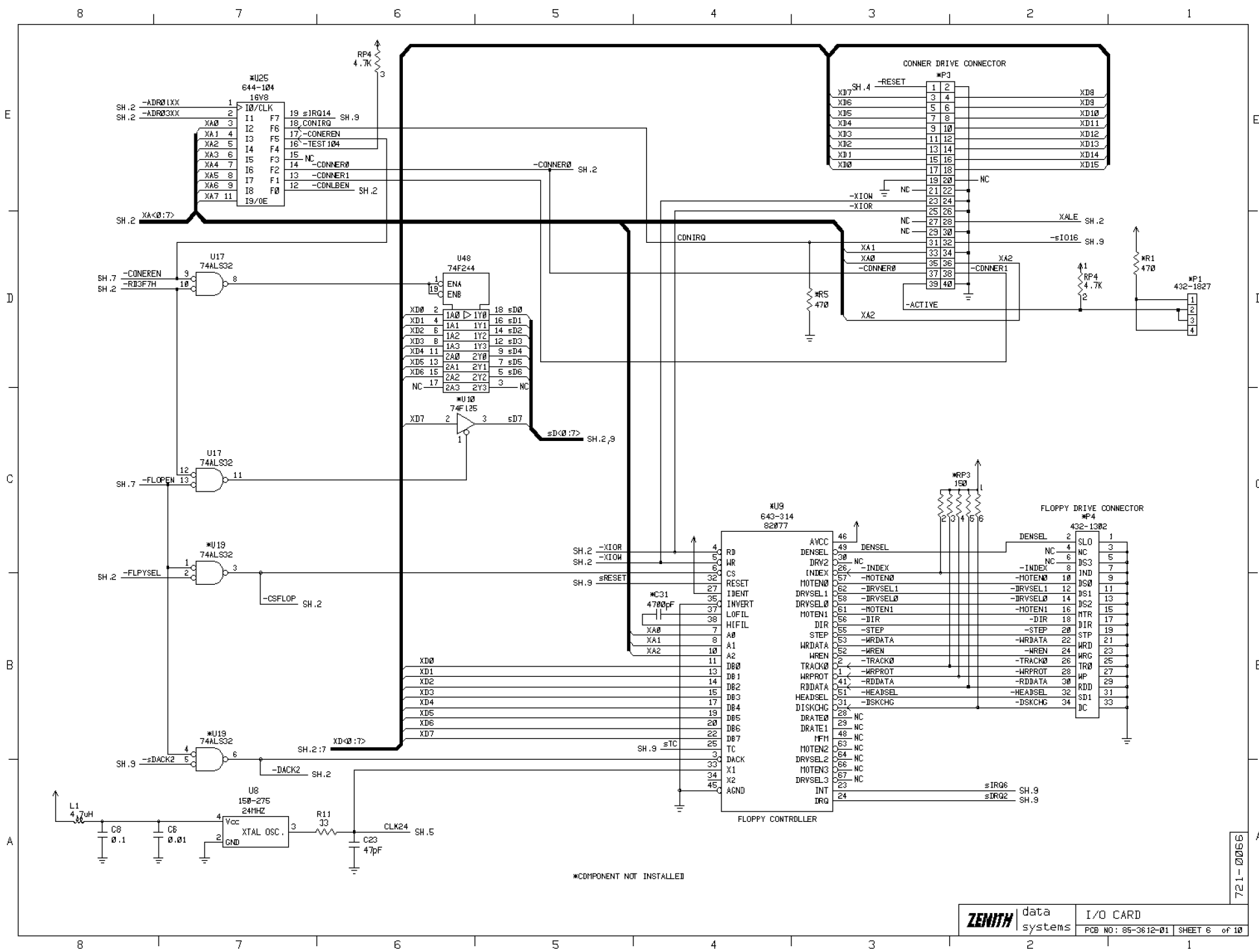
*COMPONENT NOT INSTALLED

721-0056



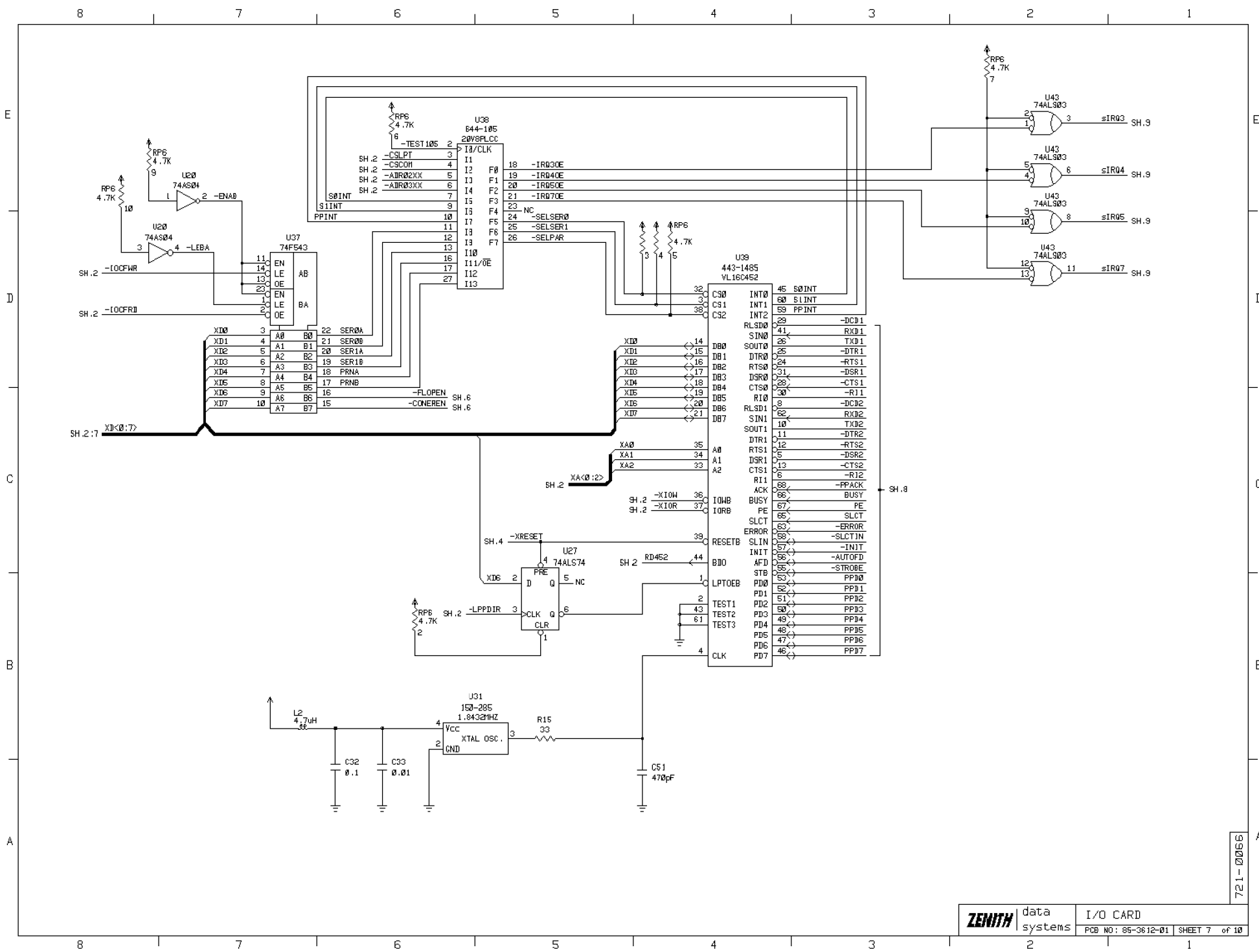
*COMPONENT NOT INSTALLED

721-0056

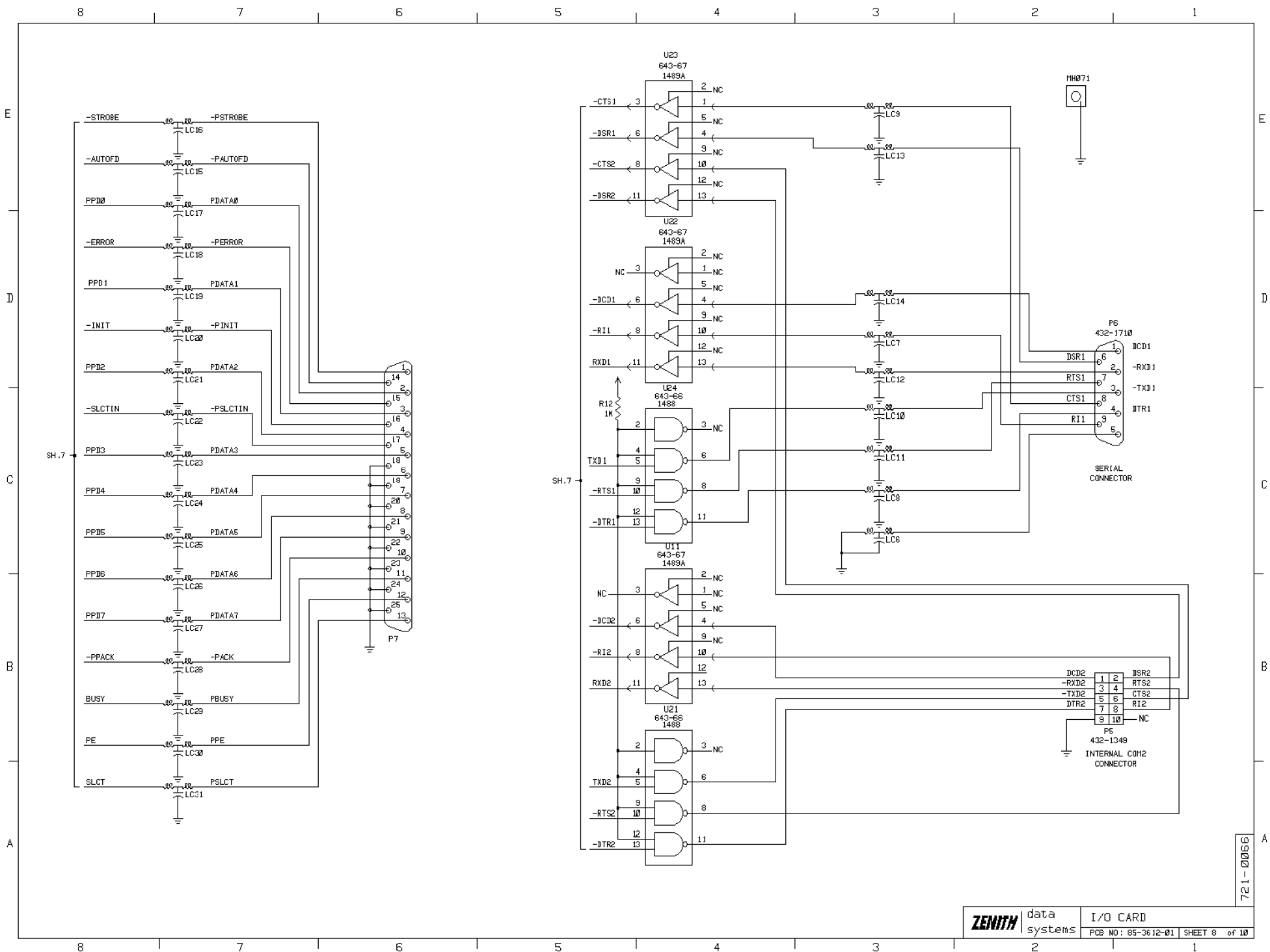


*COMPONENT NOT INSTALLED

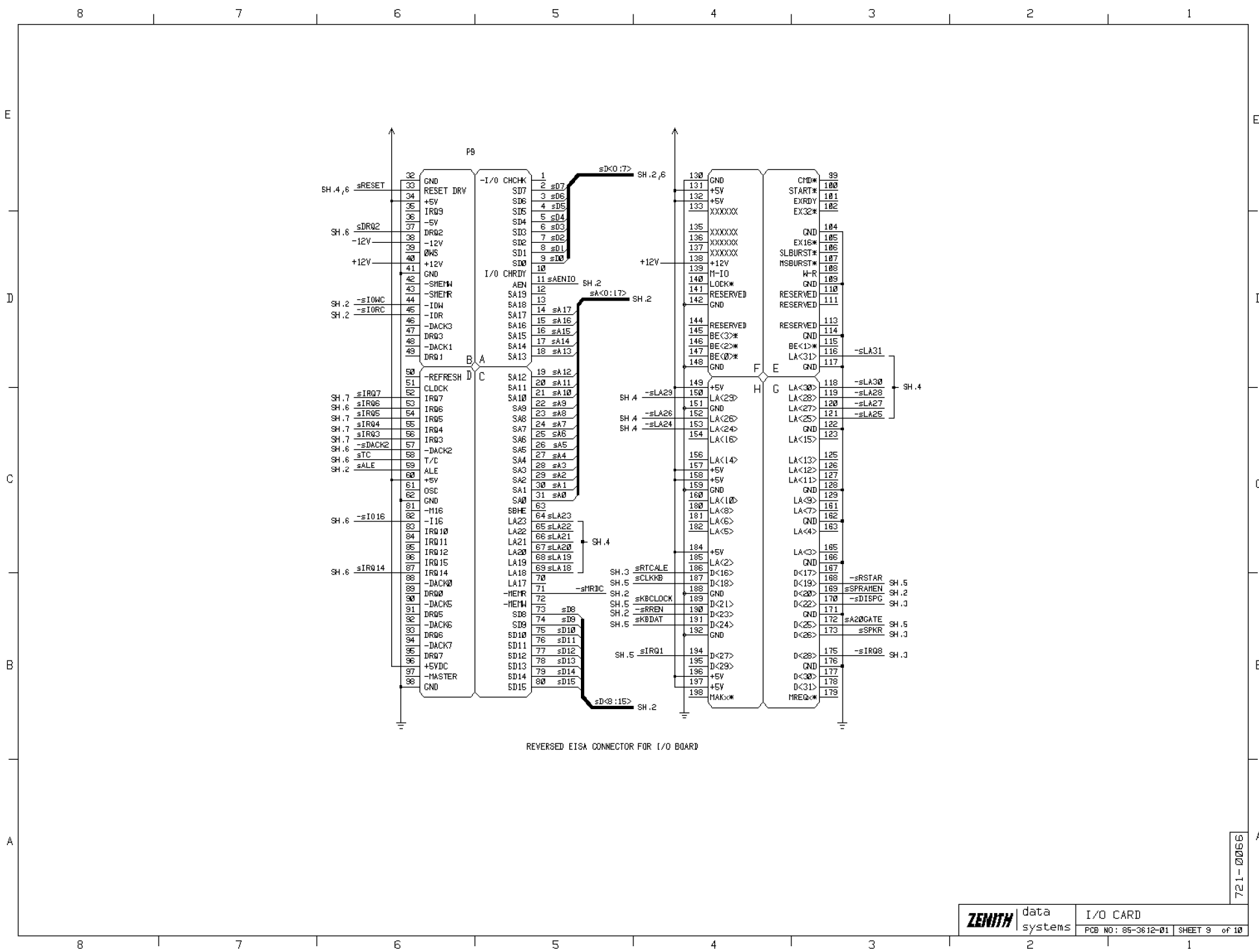
721-0066



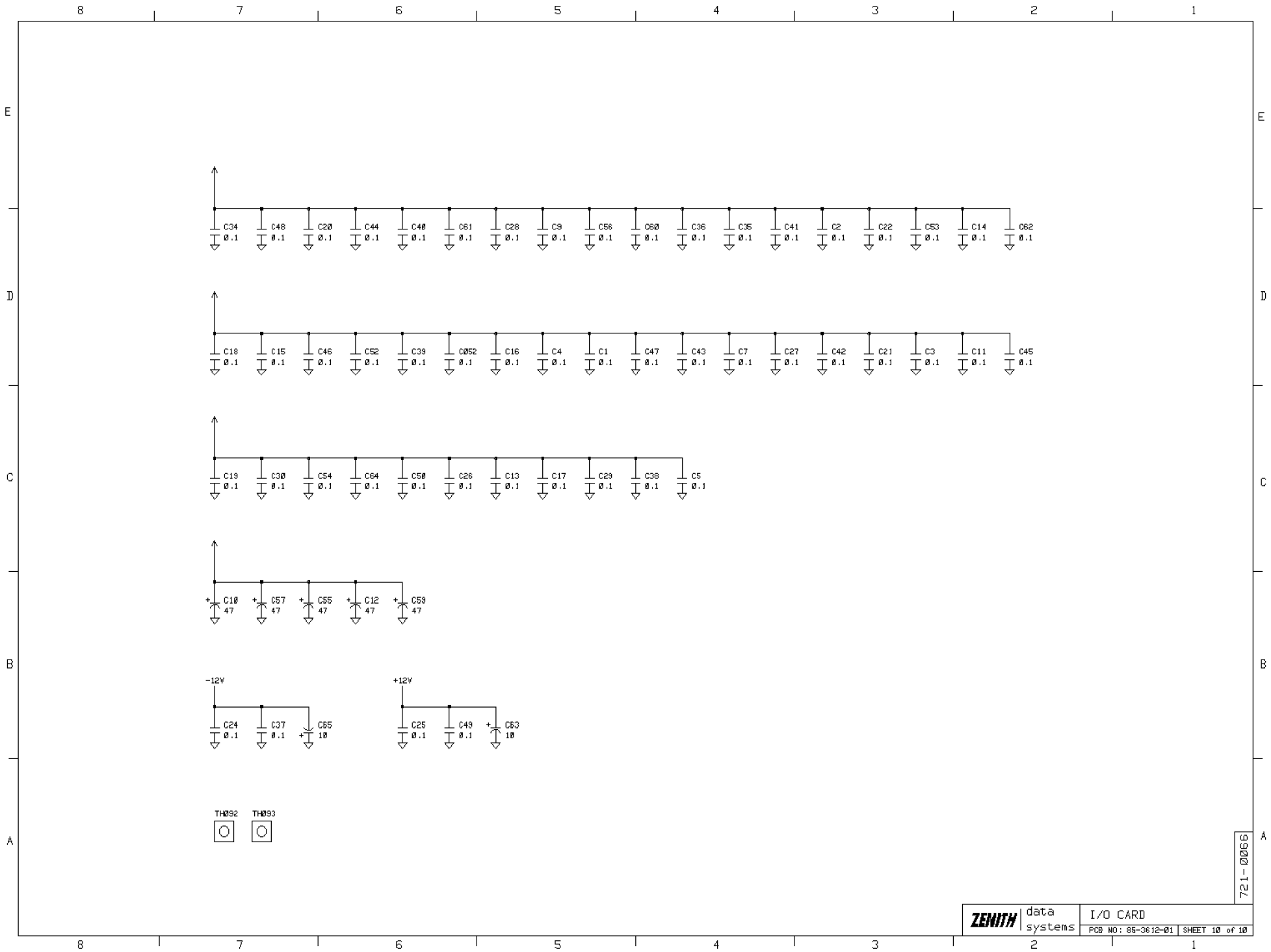
721-0066



721-0066



721-0066



721-0066